

*Leica*

# StereoZoom<sup>®</sup> Series Microscopes

INSTRUCTION MANUAL

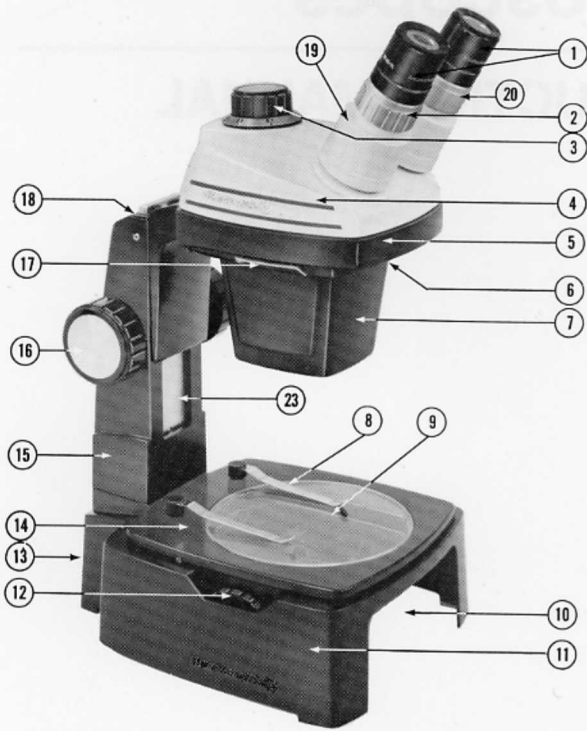


---

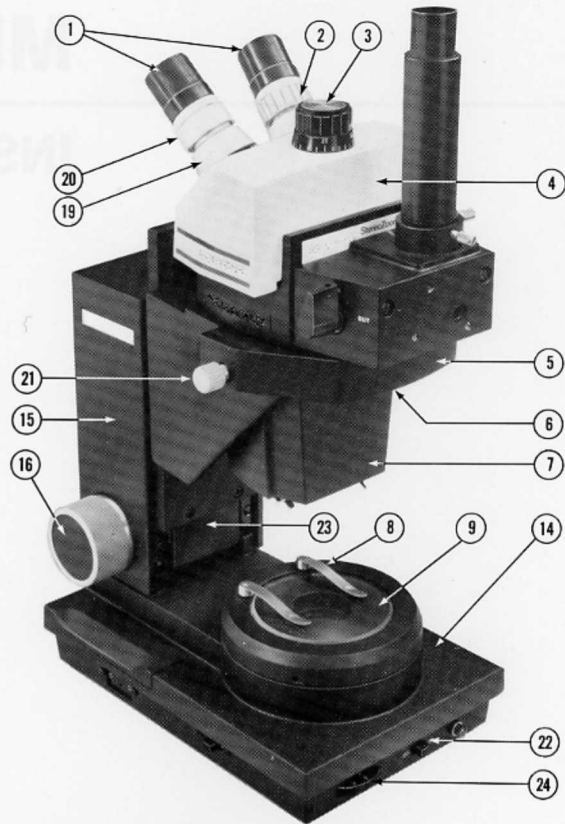
# StereoZoom® Series Microscopes

---

## INSTRUCTION MANUAL



**StereoZoom 4 Pod  
on a B Stand**



**StereoZoom 7 Pod  
on an R Stand**

1. Eyepieces
2. Eyepiece Adjusting Ring
3. Magnification Knob
4. Power Pod
5. Arm
6. Illuminator Stations
7. Objective Cover
8. Spring Clip

9. Glass Stage Plate
10. 3-Way Mirror (not shown)
11. Trans-Illumination Base
12. Mirror Axle
13. Port Hole (not shown)
14. Base
15. Upright
16. Focusing Knob

17. Lock Lever
18. Port Hole (not shown)
19. Eyepiece Adapter
20. Eyepiece Ring
21. Thumbscrew
22. Base Illuminator
23. Focusing Slide
24. Thumbwheel

